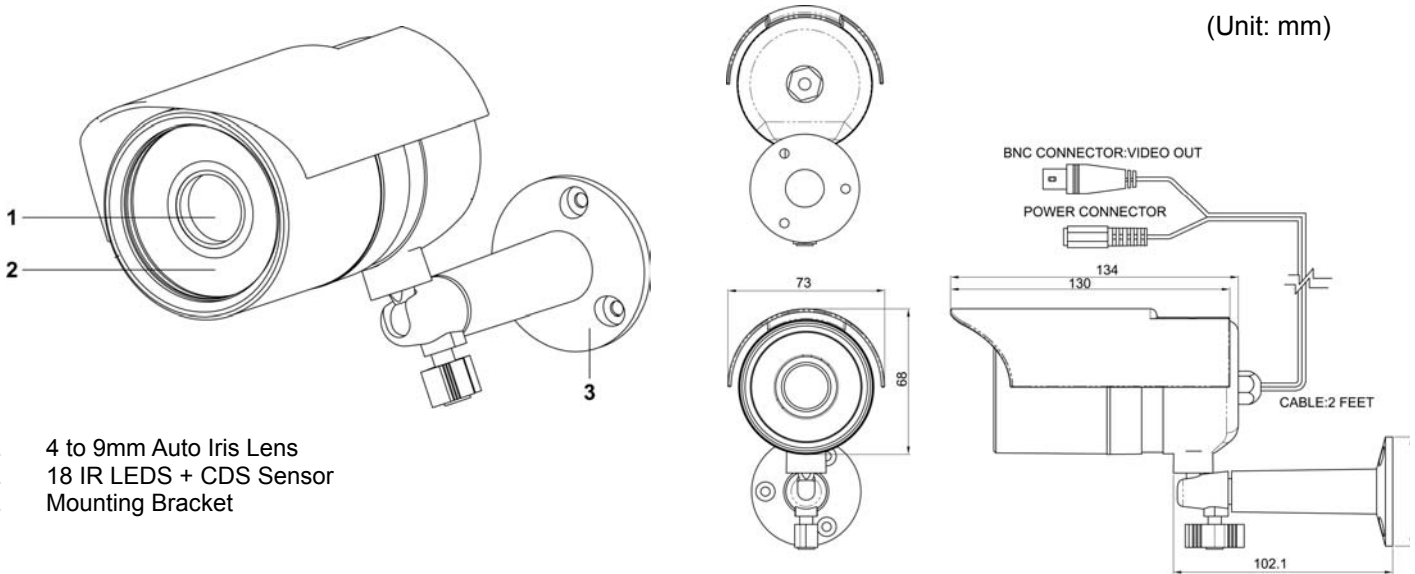


# COLOR WEATHERPROOF CAMERA

(Unit: mm)



- 1. 4 to 9mm Auto Iris Lens
- 2. 18 IR LEDs + CDS Sensor
- 3. Mounting Bracket

## SPECIFICATIONS

|                          |   |                      |
|--------------------------|---|----------------------|
| Model Number             | <b>VL-67 Series</b>   |                      |
| Description              | Color Weatherproof Vari-focal IR Bullet Camera                      |                      |
| Pick up Element          | 1/3" CCD Image Sensor   |                      |
| Resolution               | 420 TV Lines  |                      |
| Minimum illumination     | 0.92 Lux, F 1.4 (0 Lux with IR)                                     |                      |
| Lens                     | 4~9 mm F1.2 Auto Iris Vari-Focal Lens with Adjustable Potentiometer |                      |
| Auto Electronics Shutter | ON  |                      |
| AGC                      | ON  |                      |
| AWB                      | ON  |                      |
| Back Light Compensation  | ON  |                      |
| Scanning System          | 2:1 Interlace   |                      |
| Sync. Mode               | Internal Sync.  |                      |
| S/N Ratio                | More than 50dB  |                      |
| Gamma                    | 0.45  |                      |
| Power Source             | Dual Voltage AC/DC (12~24V)   |                      |
| Power Requirements       | 12VDC - 500mA / 24VAC - 6 Watts (IR LED "On")                       |                      |
| Power Pigtail            | 12" Cable Adapts Power Connector to Bare Leads If Needed            |                      |
| Number of Pixels         | 512 (H) × 492 (V)   |                      |
| Video Output             | 1.0 Volt p-p, 75 ohm  |                      |
| Shutter Control          | 1/60-1/100,000 sec.   |                      |
| Infrared LED             | Quantity  | 18, with CDS Control |
|                          | Radiant Distance  | 50 feet              |
| Mounting Bracket         | Indoor / Outdoor – Wall & Ceiling                                   |                      |
| Dimensions and Weight    | 2.75" (ø) × 5.25" (L) (includes sunshield), 18 Oz.                  |                      |
| Housing                  | IP-67 Rated Weatherproof – Metal Construction                       |                      |
| Sunshield                | Removable & Adjustable  |                      |

Specifications are subject to change without prior notice.

**Speco Technologies**

200 New Hwy, Amityville, NY 11701

[www.specotech.com](http://www.specotech.com) / 800-645-5516